

Model PSM200

With a four digit LED display

Product Overview

The pressure switches PSM200 with display provide continuous pressure monitoring. It is easy to configure the switching point and reset point without pressurizing, or to change the type of contact (NO / NC), the damping, the delay and n- / p-switching. In addition, authorised personnel can quickly and easily access the user menu to alter the switching points.

The product can transfer the collected pressure signal into standard current and pressure signal output. The display and connection can rotate freely within 330 degrees so that it can be easily installed.



Applications

- Hydraulic power unit
- Mechanical engineering
- Vacuum technology
- Filter monitoring

Features

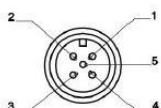
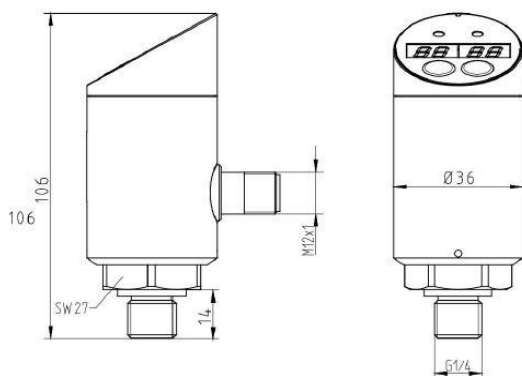
- Adjustment ranges from 1 up to 600 bar
- Switching output (PNP / NPN) configurable
- Configurable analogue output
- 4 digits (-999 ... 9999) display
- Display turnable

Standard Pressure Ranges

Nominal pressure	gauge	overpressure
0...1 bar	●	2xFS
0...2bar	●	2xFS
0...5bar	●	2xFS
0...10bar	●	2xFS
0...16bar	●	2xFS
0...25bar	●	2xFS
0...60bar	●	2xFS
0...100bar	●	1.5xFS
0...160bar	●	1.5xFS
0...250bar	●	1.5xFS
0...400bar	●	1.2xFS
0...600bar	●	1.2xFS

Other pressure ranges available. Please consult the factory.

Dimensions (in mm)



Signal	Pins
Supply: UB	1
Supply: 0V	3
Switching output: S 1	4
Switching output: S 2	2
4...20 mA	5

Performance Specifications

Parameter	Value
Supply voltage	15...30 VDC
Current drain	max.30mA,24 VDC

Switching outputs

Output type	switching output (pnp / npn) configurable normally close (NC) or normally open (NO)
S1,S2 current output	<500mA
Response time	<10ms
Voltage drop	<1V
Current output	
Output type	3- wire 0...20mA/4...20mA
Load resistance RA	RA≤0.5kohm
Nonlinearity	0.5%FS
Protection	Reversed-phase, short circuit protection

Display

Design	LED, red, 8mm high
Range	4 digits (-999 ... 9999)
Accuracy	0.5%FS
Stability	0.3%FS/year

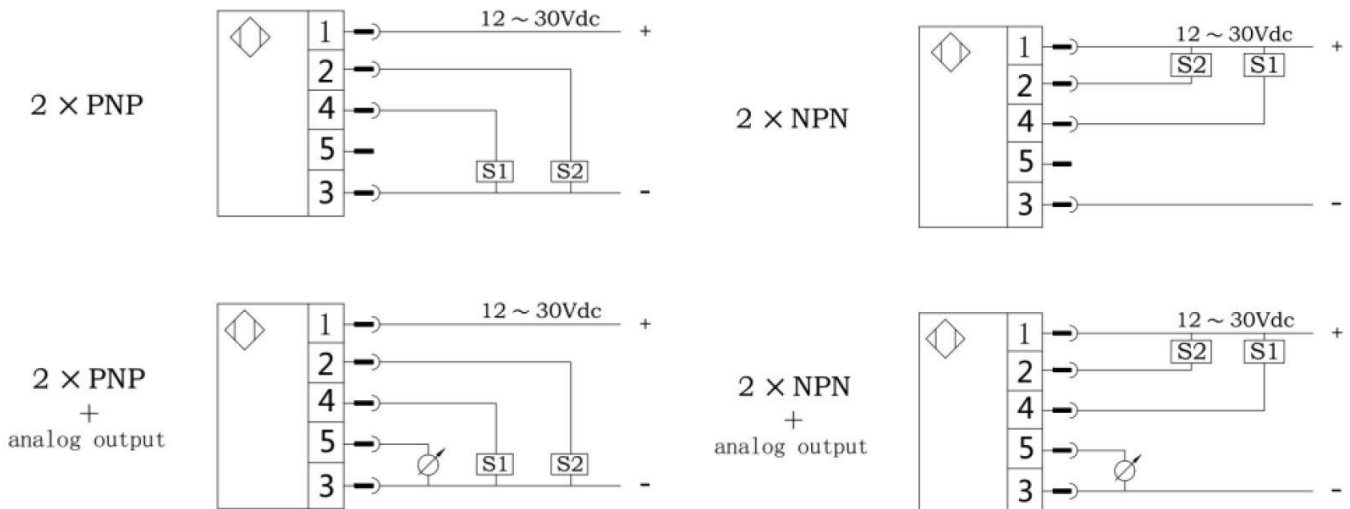
Environmental

Operating Temp. Range	-20...85°C
Ambient Temp. Range	-20...80°C
Storage Temp. Range	-30...80°C

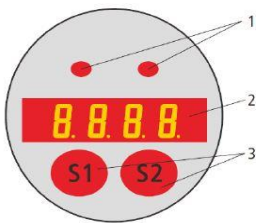
Material

Housing of metre	ABS
Housing	304SS
Diaphragm	ceramic/316SS
Protection	IP65
Electrical interface	M12x1
Pressure interface	G1/4,1/4NPT,1/4PT

Electrical connections



Panel description



- 1- I & II the LEDs display the status
 - 2- 2- 4 digits (-999 ... 9999) display
 - 3- 3- Set key
- S1 up view menu/ increase the number keys
 - S2 down view menu/ Decrease numeric keys
 - S1+S2 Click on the entry/exit menu at the same time
 - S1+S2 Long press 5s clear zero features (Cleared before confirming system without pressure)

Ordering information

Model	Setting range	Pressure connection	Output signal	Switching Type	Cable length
PSM200	(01) 0...1bar (02) 0...2bar (03) 0...5bar (04) 0...10bar (05) 0...16bar (06) 0...60bar (07) 0...100bar (08) 0...160bar (09) 0...250bar (10) 0...400bar (11) 0...600bar (0x) Customizable	(C1) G1/2(male) (C2) G1/4 (male) (C3) M12x1.5(male) (C4) M20x1.5(male) (Cx) Customizable	(1S) one switching output (2S) two switching output (1A) an analogue output (2A) one switching output+an analogue output (3A) two switching output+an analogue output	P: PNP N: NPN	(L0)=0m (L2)=2m (L5)=5m (L10)=10m
PSM200	04	C2	3A	P	L2
Order	PSM200-04-C2-3A-P-L2				