

Model:PSW 100



Features

- Mechanical Pressure Switches
- Repeatability: 5 %FS
- Pressure range: 0.3 bar...100 bar
- overload limit: 300 bar

Applications

- Process control
- industrial automation system

Performance specifications

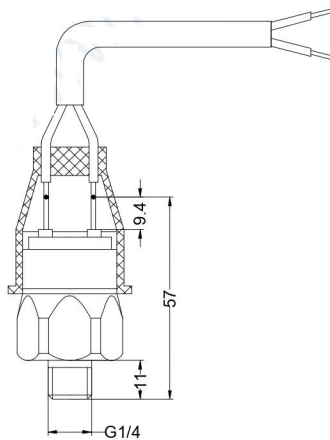
Test condition of data: 25°C

Specifications	Data	Note
<i>pressure ranges</i>	0.3 bar...100 bar	
<i>overload limit</i>	300 bar (Max.)	
<i>Repeatability</i>	5 %FS	
<i>initial state</i>	open;close	
<i>storage temperature range</i>	-45...+130°C	
<i>ambient temperature range</i>	-45...+130°C	
<i>life time</i>	1 x 10 ⁶	
<i>pilot duty</i>	100 VA	
<i>pressure interface</i>	G1/8,1/4NPT,M12 x 1.5;M20 x 1.5	1
<i>electrical interface</i>	two 6.3 x 0.8mm contacts(standard), 150 mm cable	
<i>environment protection</i>	IP 65 (with rubber protection)	
<i>Material of pressure interface</i>	zinc plated steel(standard), stainless steel	

Note:

1. customized according to customer requirements

Dimensions (in mm)



Ordering information

<i>model</i>	<i>range</i>	<i>fixed or adjustable set points</i>	<i>Material of pressure interface</i>	<i>pressure interface</i>	<i>electrical interface</i>	<i>initial state</i>	<i>note</i>
PSW100	(03) 0.3...3 bar (04) 1...4 bar (05) 0.6...6 bar (06) 1...13 bar (07) 5..15 bar (08) 4...28 bar (09) 16...40 bar (10) 6...60 bar (11) 41...70 bar (12) 71...100 bar	customer request	(z) zinc plated steel (s) stainless steel	(C1) G1/8(male) (C2) 1/4NPT(male) (C3) M12x1.5(male) (C4) M20x1.5(male) (Cx) customer request	(W)150 mm cable (N)two 6.3 x 0.8mm contacts (standard)	(o) open (c) close	
PSW100	04	2bar	z	C1	N	o	NA

ordering code

PSW100 -04-2bar-z-C1-N-o-NA