

交流瓦特/瓦特小時, 乏爾/乏爾小時轉換器 (AC WATT/WATTHOUR & VAR/VARHOUR TRANSDUCER)

**MODEL
PWWH**



■特點(FEATURES)

- 精確度0.25%滿刻度(Accuracy 0.25%F.S)
- 多種輸入,輸出選擇(Wide selection of input/output range)
- 輸入與輸出絕緣耐壓2仟伏特/1分鐘(Dielectric strength 2KVac/1min. (input/output/power))
- 沖擊電壓測試5仟伏特(1.2x50us)(Impuse test 5KV(1.2x50us)(IEC255-4,ANSI C37.90a/1974)
- 突波電壓測試2.5仟伏特(0.25ms/1MHz)(Surge test (ring wave)2.5KV(0.25ms/1MHz)(IEC255-4)
- 尺寸小,穩定性高(Dimension small and High stability)

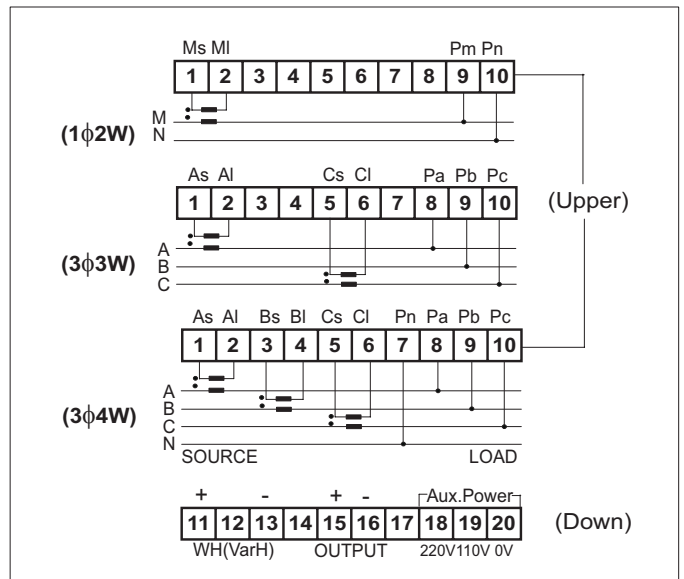
1. MODEL: PWWH-□□-□□□□-□□□□
(選購型號)

NO	Type	NO	Input Unit	NO	Voltage Range	NO	Current Range	NO	Frequency	NO	Output Range	NO	Output Pulse	NO	Aux. Power
W	WATT	1	1 ϕ 2W	1	0~120V	1	0~1A	A	50Hz	C	DC1~5V	A	1wh or varh/count	A	AC110/220V
V	VAR	3	3 ϕ 3W	2	0~240V	2	0~5A	B	60Hz	D	DC0~10V	B	10wh or varh/count	B	AC/DC20~60V
		4	3 ϕ 4W	3	0~400V	9	SPECIFIED	C	400Hz	F	DC0~1mA	C	100wh or varh/count	C	AC/DC90~260V
		9	SPECIFIED	9	SPECIFIED			O	SPECIFIED	I	DC4~20mA	D	1000wh or varh/count		•Less 4VA for AC/DC input
					•Voltage \pm 30%				•Frequency \pm 10%	O	SPECIFIED	O	SPECIFIED		

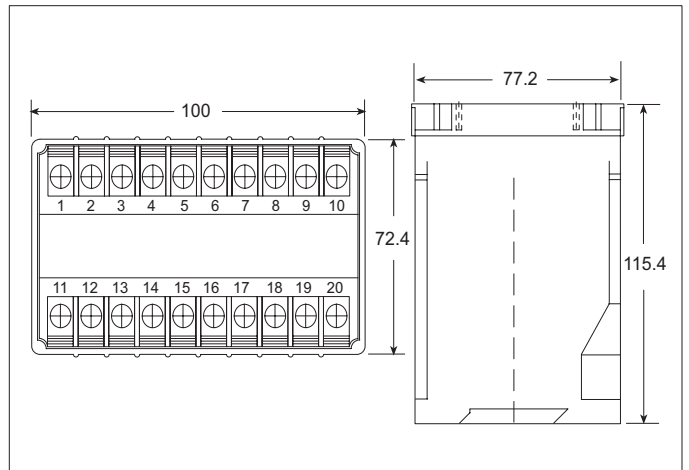
2. SPECIFICATION (主要規格)

- Measuring accuracy (精確度) : 0.25% F.S. (23 \pm 5 $^{\circ}$ C)
- Input burden (輸入負載) : <0.2VA (Voltage) <0.2VA (Current)
- Maximum input over (最大過載能力) : Current related input: 3 x rated continuous 10 x rated 30 sec. 25 x rated 3sec. 50 x rated 1sec. Voltage related input: maximum 2 x rated continuous
- Response time (輸出反應速度) : < 250ms(0~90%)
- Output drive capability (輸出負載能力) : < 10mA for voltage mode < 10V for current mode
- Output ripple (p-p) (輸出之漣波) : < 0.1% F.S.
- Pulse output type (脈波輸出型態) : Photocouple of open collector (max.30V/40mA)
- Zero (offset) range (歸零調整範圍) : 0~ \pm 5% F.S.
- Span (scale) range (最大值調整範圍) : 0~ \pm 10% F.S.
- Temp. coefficient (溫度係數) : 100ppm/ $^{\circ}$ C (0~50 $^{\circ}$ C)
- Isolation (隔離特性) : Input/Output/Power/Case
- Dielectric strength (絕緣耐壓能力) : 2KVac/1 min. (input/output/power/case)
- Impulse test (衝擊電壓測試) : ANSI C37.90a/1974, DIN-IEC 255-4 impulse voltage 5KV (1.2 x 50us)
- Surge test (ring wave) (突波電壓測試) : 2.5KV-0.25ms/1MHz(IEC255-4)
- Operating condition (使用環境條件) : -20~60 $^{\circ}$ C (20 to 90% RH non-condensed)
- Storage condition (存放環境條件) : -30~70 $^{\circ}$ C (20 to 90% RH non-condensed)
- CE EMC Certification (CE認證) : EN 55022:1998/A1:2000 Class A EN 61000-3-2:2000 EN 61000-3-3:1995/A1:2001 EN 55024:1998/A1:2001

3. Terminal Connection (接線圖)



4. Dimension (unit:mm) (外型尺寸)



MODEL		Element connection	Standard analog calibration Watts or Vars					
W/WH	Var VarH		V=120V		V=240V		V=400V	
			1A	5A	1A	5A	1A	5A
PW1	PV1	1 ϕ 2W	100	500	200	1K	400	2K
PW3	PV3	3 ϕ 3W	200	1K	400	2K	800	4K
PW4	PV4	3 ϕ 4W	300	1.5K	600	3K	1.2K	6K