



CT-331

PRESSURE TRANSMITTER
HYDRAULICS

RANGE OF USE

Pressure ranges from -1 bar
up to 400 bar overpressure.

FEATURES

Ceramic sensor
Accuracy +/-0.5% FSO
Output signal 4 ... 20 mA/2w
(Optional: 0 ... 10 V/3w)
Warranty: 12 months



Characteristics

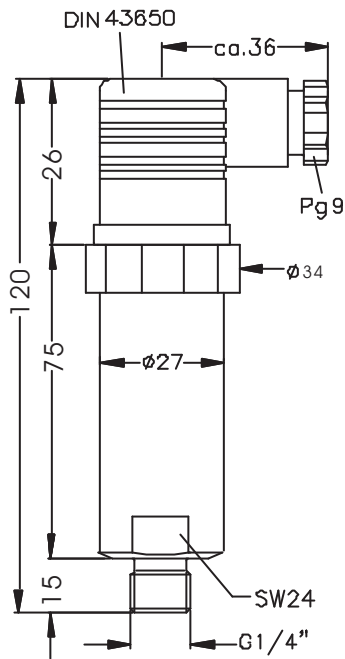
It is smaller than in the recorder of high reliability, and is the recorder that investigated cost performance for thoroughly to the motto more simply.

Feature

- .Using ceramic sensing element for providing extremely low hysteresis and high repeatability
- .Compact size for easy installment
- .Pressure type : gauge, absolute
- .Large pressure range :-1...400 bar

Technical data

Pressure range :	-1...400 bar
Over pressure:	0...600 bar
Sensor elemen:	Ceramic material
Accuracy:	+/-0.5% ,
Pressure Port:	1/4"NPT , 1/2"PT
Working temp.range:	-10...+85 degC; -25...150 degC(option)
Working humidity.range:	0...95%RH
Environmental temp. range:	0...55 degC
Environmental humidity range	0...95%RH
Supply voltage:	18...33 VDC
Output signal:	0...10V(3-wires), 4...20mA(2-wires)
Stability:	<= -0.2%FSO/year

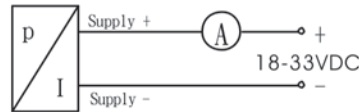


Pin configuration

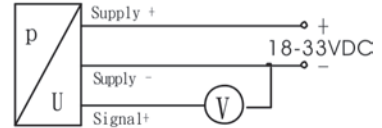
		Electrical Connections	
		DIN 43650	Cable colors
2-wire-system: (4 ... 20 mA)	Supply +	1	White
	Supply -	2	Brown
3-wire-system: (0 ... 10 V)	Supply +	1	White
	Supply -	2	Brown
	Signal +	3	Green

Wiring Diagram

2-wire: 4 ... 20 mA



3-wire: 0 ... 10 V



ORDERING CODE

CT-331 - 6 - [] - [] - [] - []

Input pressure range

[bar]

1,0	1	0
1,6	1	1
2,5	1	3
4	1	5
6	1	7
10	3	0
16	3	1
25	3	2
40	3	3
60	4	0
100	4	1
160	4	2
250	4	3
400	5	4
-1...0	0	0

Output

4 ... 20 mA	7
0 ... 10 V	1

Electrical connection

Cable gland incl. 1.5m cable	1
Male and female plug DIN 43650	2

Outside Thread

7/16-20 UNF	1
1/4" NPT	2
1/2" PT	3