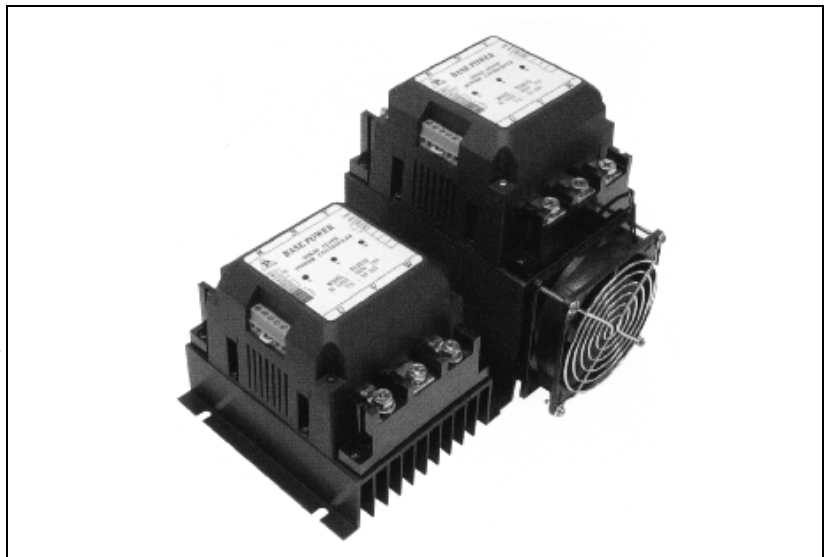




DS&TS SERIES S.S.R.

Three Phase Solid State Relay



Instruction Manual

WIN LING TECHNOLOGY LTD.

12F,NO.572,SEC.5 CHUNG SHIN RD., SAN CHUNG CITY, TAIPEI HSIEN, TAIWAN, R.O.C.

Tel: 886-2-29957702 Fax: 886-2-29957825

E-mail: win.ling@msa.hinet.net WEB: <http://www.winling.com.tw>

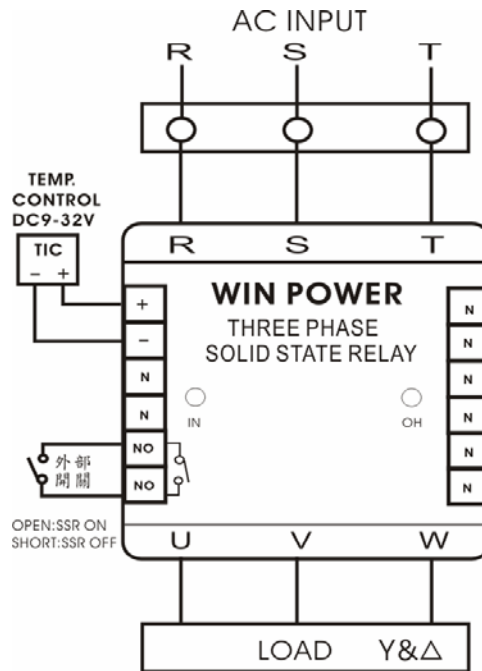
WIN POWER

Three Phase Solid State Relay

DS SERIES OPERATING INSTRUCTIONS

the DS&TS Series solid-state power controllers are available in TS Series three-phase, three - leg ;or DS Seriesthree phase, two-leg versions.They provide high-reliability controlof resistive heating loads to 120 amps

Wiring Diagrams:



General Specifications:

Inputs : 9-32vdc

Supply Voltage: DS24** :100~250Vac; DS48** :340~480 Vac
TS24** :100~250Vac, TS48** :340~480Vac

Frequency: 50/60 Hz

Ambient Temperature: 0°C~50°C 90%RH for listed power ratings

Cooling: Convection & FAN

The controller of this type holds the electronic detection on the loop. When the temperature is above 55°C, the fan will be turned on. When it is below 50°C, the fan will be off. (When the controller starts, the fan will automatically operate for 12 seconds out of the control of the temperature). When the temperature is above 82°C, OH will be on, SSR will be off, and Alarm will work. When the temperature is below 73°C, the normal output will be resumed automatically.

LED Status Display and Troubleshooting:

Serial Number	Color	Status display	Cause	Solution
OH (the indicator light for the over-temperature)	Red	If SSR is over-temperature, OH lights. (It is abnormal if OH lights.)	1. SSR fans malfunction or they are locked. 2. The temperature of the surroundings is too high or the ventilation is bad.	1. Change fans or clear the waste in the fans. 2. Improve the ventilation condition.
IN (the indicator light for the input)	Green	IN doesn't light (It is normal if IN lights)	1. The output signal of TIC is not output. 2. The polarities of TIC are reversed.	1. Check the output signal of TIC 2. Check the output connection of TIC