

WIN POWER

SCR POWER CONTROL

WINLING TECHNOLOGY LTD.

9F.-8, No. 16, Ln. 609, Sec. 5, Chongxin Rd.,
Sanchong City, Taipei County 24159, Taiwan
Tel: 886-2-29996610 Fax: 886-2-29996620
WEB: www.winling.com.tw E-mail: win.ling@msa.hinet.net

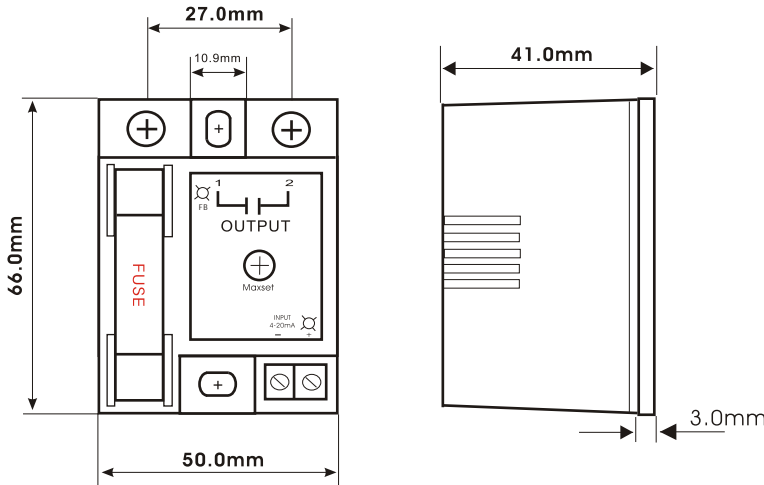
- Direct application temperature mediation output signal 4-20mA input control .
- Does not need to use the power source, saves energy design, the wiring is easy.
- A temperature controller output can serially connect two SCR controller.
- 50/60HZ can altogether use, the output reaches 100%, linearity output good.
- The heat conduction is fast, can promote the product life.
- This product volume small, the placement area is small.

WIN POWER

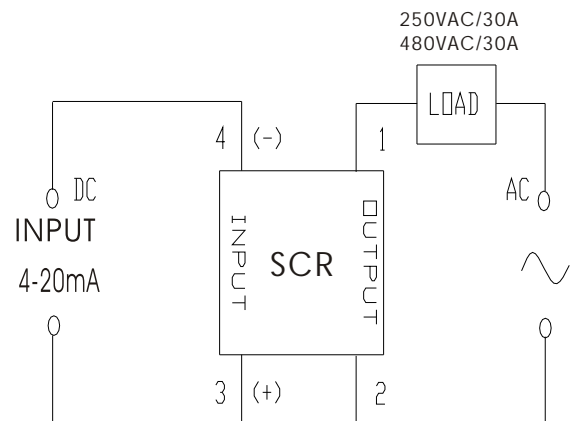


PC2440 & PC4840

Outside dimension



Connection diagram



Ordering Information

PC □ 40 - □

Voltage:

Low Voltage
24=100 to 260VAC/30A
Hi Voltage
48=200 to 480VAC/30A

Heat Sink Type(L*W*H)

N: No heat sink
58=75X50X95mm

CAUTION: DO NOT OPERATE A SCR POWER CONTROL INFREE AIR, OR WITHOUT A PROPER HEAT SINK.