

# WIN POWER

SERIES SSP

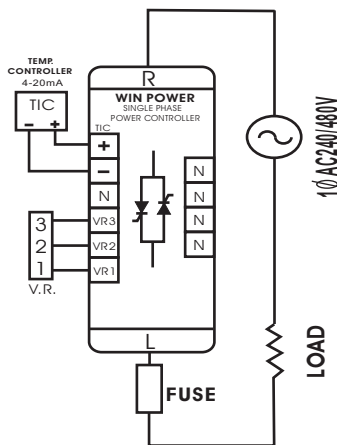
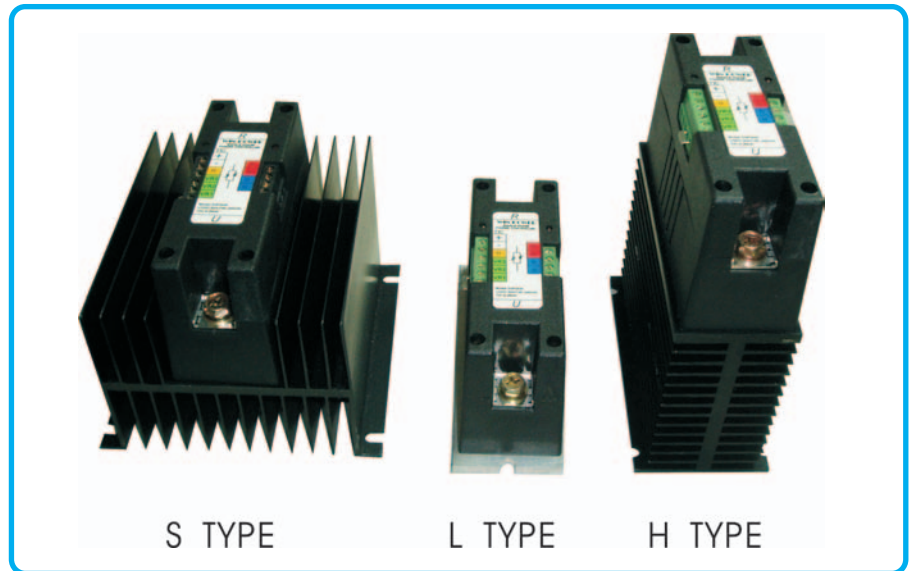
WINLING TECHNOLOGY LTD.

12F, No.572, Sec.5 Chung Shin Rd., San  
Chung City, Taipei Hsien, Taiwan, R.O.C.  
TEL:886-2-29959499 FAX:886-2-29957825  
WEB: www.winling.com.tw E-mail:win.ling@msa.hinet.net

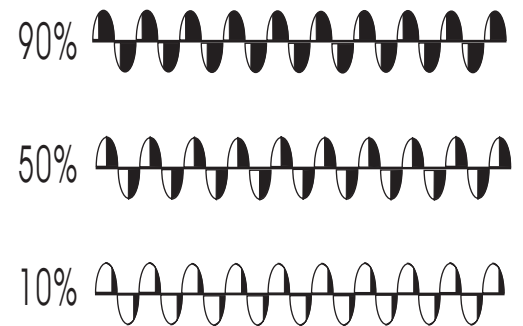
## SCR Power Controllers Phase-Angle Fired

(Resistive Loads Only)

- Extends Heater Life- Eliminates Thermal Shock
- Optically Isolated
- Capacity up to 120 Amps
- Diagnostic Indicators
- Self-Synchronizing to Line Frequency
- Isolated Heat Sinks
- Compact Design
- Full Protection Against Line Voltage Spikes



SSP type phase angle:



## Specifications

- Supply Voltage:** 100 to 480 Vac
- Frequency:** 50-60 Hz
- Current Rating:** 30... 120 A
- Control Signal Isolation:** 2500 Vac
- Input Control:** 4-20mA
- Transient Voltage**
- Protection:** MOV and RC suppression
- Ambient Temperature**
- Range:** 32° to 122°F (0° to 50°C)  
for listed current rating
- Load:** SSP -1 phase, 1 lines controlled
- Diagnostic**
- Indicators:** Shorted or open SCR  
reversed signal Input (mA/V)

## Outside Dimension and Weight

### S TYPE

Size: 120X128X109 mm(LXWXH)  
Weight: 30-40A=700g, 50-75A=800, 100-120A=1400g

### L TYPE

Size: 130X45X68 mm(LXWXH)  
Weight: 30-40A=350g, 50-75A=450g, 100-120A=550g

### H TYPE

Size: 120X60X152 mm(LXWXH)  
Weight: 30-40=750g, 50-75A=850g, 100-120A=1450g

## Ordering Information

