

Solid State Relays (DC TO DC)

DC-Input; 15.....95 Amp,

55.....200 Vdc Output

SSRDD Series

- Output Current Range to 95 A dc
- Output Voltage Range, 0 to 200 V dc
- Input Signal Range, 3 to 32 V dc
- Compatible with Most Logic Systems
- Optically Isolated
- 2500 Volt Isolation
- 100% Tested at Rated Current
- High Surge Ratings
- Fast Switching Times
- OPTIONS
- Heat Sinks

WINLING TECHNOLOGY LTD.

12F, No.572, Sec.5 Chung Shin Rd., San Chung City, Taipei Hsien, Taiwan, R.O.C.

TEL:886-2-29959499 FAX:886-2-29957825

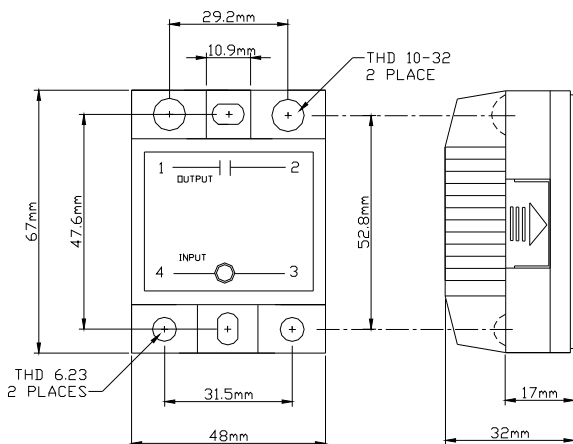
WEB: www.winling.com.tw E-mail:win.ling@msa.hinet.net

WIN POWER



SSRDD series solid state relays are dc input/dc output, switching devices with no moving parts. These SSR are capable of switching at high speeds without the noise associated with electromechanical relays. MOSFET outputs provide reliable switching.

Outside dimension



MODEL:SSR42



Ordering Information

MODEL	INPUT	LOAD
SSR-05515DD	3-32VDC	15A/5-55VDC
SSR-20020DD	3-32VDC	20A/5-200VDC
SSR-10030DD	3-32VDC	30A/5-100VDC
SSR-10055DD	3-32VDC	55A/5-100VDC
SSR-06060DD	3-32VDC	60A/5-60VDC
SSR-05595DD	3-32VDC	95A/5-55VDC

Connection diagram

