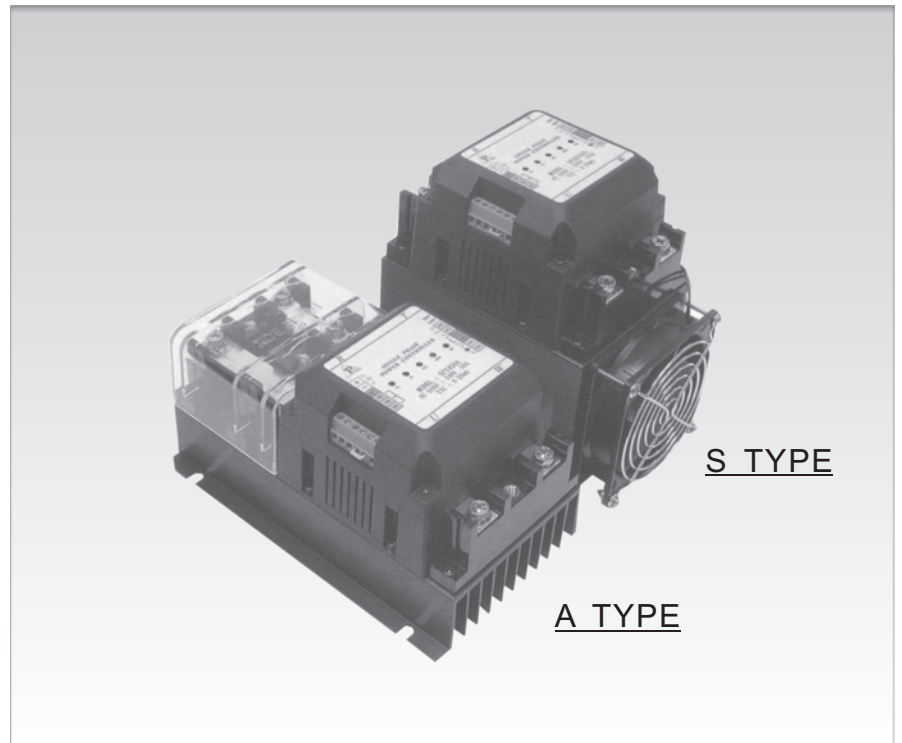


Single Phase SCR Power Controllers

Phase-Angle Fired

(Resistive Loads Only)

- Extends Heater Life- Eliminates Thermal Shock
- Optically Isolated
- Capacity up to 150 Amps
- Diagnostic Indicators
- Self-Synchronizing to Line Frequency
- Isolated Heat Sinks
- Compact Design
- Full Protection Against Line Voltage Spikes



SPECIFICATIONS

Supply Voltage: 100 to 480 Vac

Frequency: 50-60 Hz

Current Rating: 20... 100 and 150 A

Control Signal Isolation: 2500 Vac

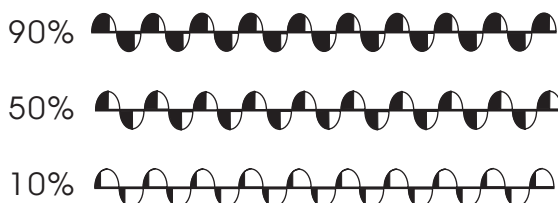
Transient Voltage Protection: MOV and RC suppression

Ambient Temperature Range: 32° to 122°F (0° to 50°C) for listed current rating

Load: 1 phase, 2 lines controlled

Diagnostic Indicators: Shorted or open SCR reversed Signal Input (mA/V)

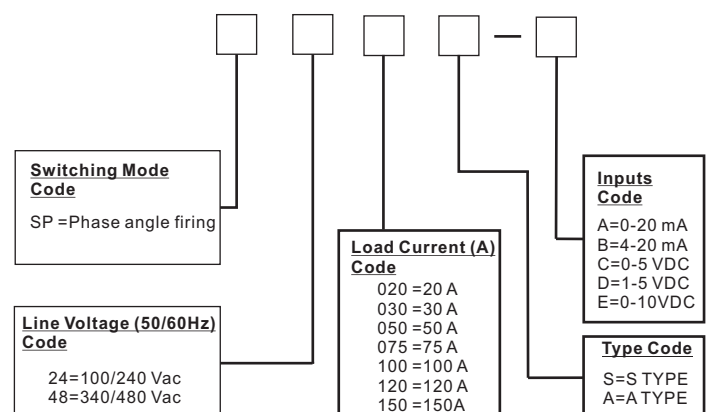
SP Type Phase Angle:



PHASE ANGLE FIRED CONTROLLERS




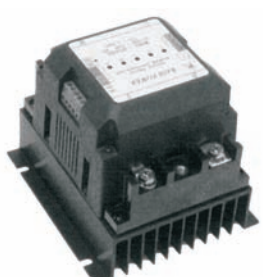




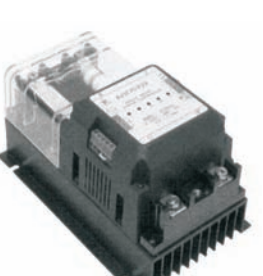

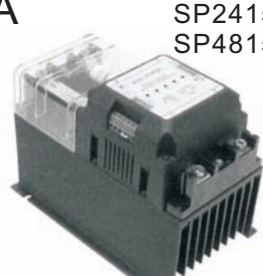
The SP phase angle fired controllers turn each SCR on for a controlled portion of a half-cycle of the line voltage. The effective load voltage is determined by the portion of the line voltage delivered which is proportional to the input control signal. Additionally, the voltage is regulated as the line voltage changes.

Ordering Information:

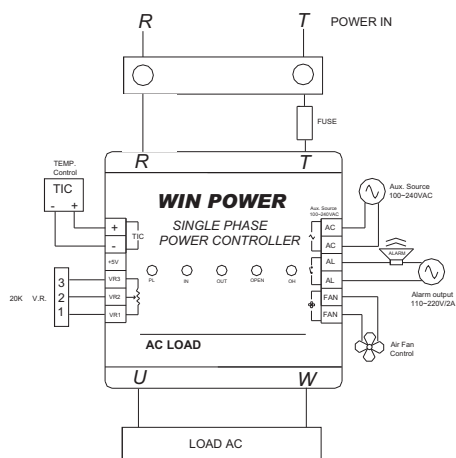


SERIES SP POWER CONTROLLERS

SP Type (LXWXH)mm

<p>SP2420S SP4820S</p> <p>20A</p>  <p>143X128X116mm(900g)</p>	<p>SP2475S SP4875S</p> <p>75A</p>   <p>143X128X170mm(1600g) 206X128X170mm(2200g)</p>
<p>SP2430S SP4830S</p> <p>30A</p>   <p>143X128X116mm(1000g) 206X128X116mm(1200g)</p>	<p>SP24100S SP48100S</p> <p>100A</p>   <p>173X128X170mm(1850g) 236X128X170mm(2500g)</p>
<p>SP2450S SP4850S</p> <p>50A</p>   <p>143X128X170mm(1600g) 206X128X116mm(1400g)</p>	<p>SP24120S SP48120S SP24150S SP48150S</p> <p>120A 150A</p>   <p>173X128X170mm(1850g) 236X128X170mm(2500g)</p>

Terminal Connection:



The max output limit of outer up/down switch:

