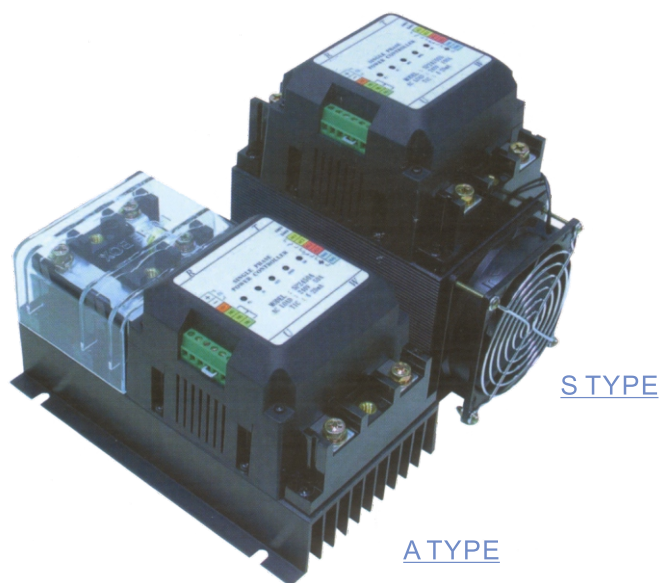


### (Resistive Loads Only)

- Extends Heater Life-Eliminates Thermal Shock.
- Optically Isolated.
- Capacity Up To 150 Amps.
- Diagnostic Indicators.
- Self-Synchronizing To Line Frequency.
- Isolated Heat Sinks.
- Compact Design.
- Full Protection Against Line Voltage Spikes.

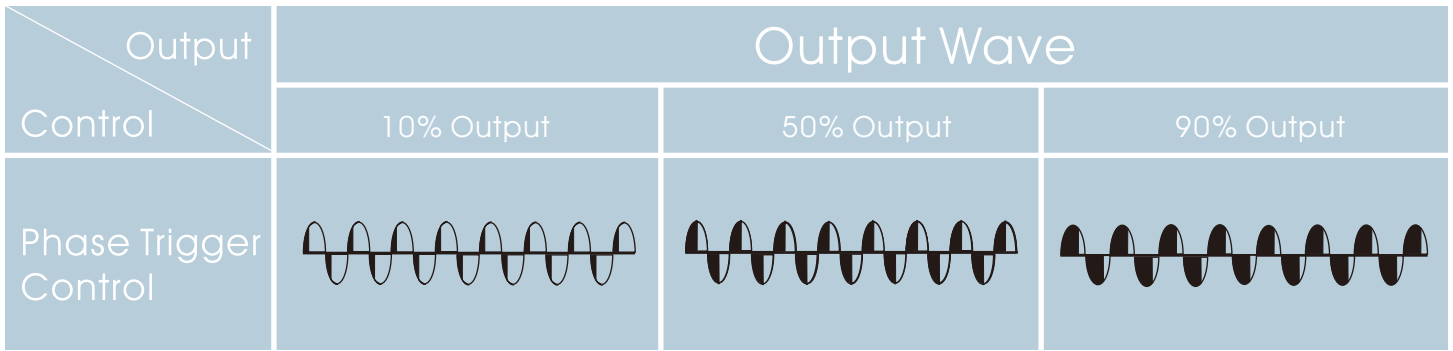


**Drying, Wire and Cable, Foods Machinery, Power Metallurgy, Plastic Extrusion Machinery, UV, IR Drying Machinery, High Temperature Ceramic Furnace, Metallic Heating Treatment Drying Machinery, Plastic Leather Pasting, Chemical-heating Equipment And Power Type Voltage Output Adjustment Equipment**

### SPECIFICATIONS

Load Current Rating	20A~150A
Load Voltage	100~250VAC/200~480VAC
Aux. Power	100~250VAC
Input Type	0-20mA/4-20mA/0-5VDC/1-5VDC/0-10VDC
Min Load Current	0.6A
Off State Leakage Current	15mA (Max)
Power Consumption	5W (Max)
Input Frequency	50~60HZ
Input Resistance	DCA (250Ω) ,DCV (10KΩ)
Isolation Voltage	AC2500V (1 Min)
Alarm Relay Contact	2.0A
Operating Temperature	-10~82°C
Operating Humidity	95% RH
Storage Temperature	-10~60°C
Storage Humidity	95% RH
Soft Start	8.4sec
FAN ON/OFF Temperature	>50°C ON / <45°C OFF
HI Temperature Alarm	<82°C OFF / >73°C ON

# Trigger Control

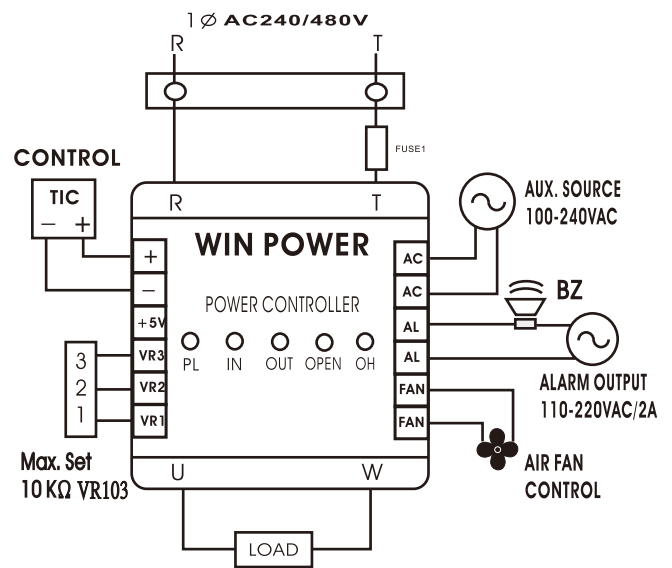


## Order Model/Outside Dimension/Weight

## Connection Diagram

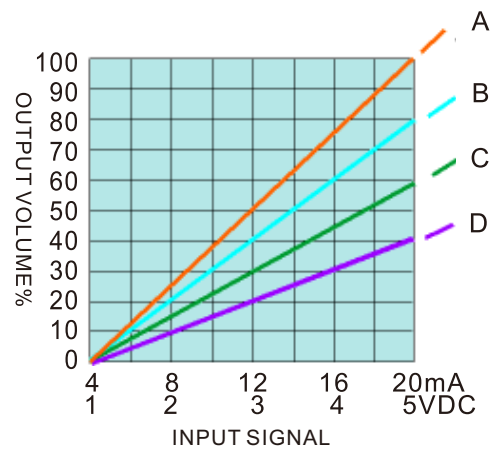
MODEL: SP    -

Type	SP	
Input Voltage	24	100~250VAC
	48	200~480VAC
Load Current	20	20A
	30	30A
	50	50A
	75	75A
	100	100A
	150	150A
Fuse Connection Model	A	Combination
	S	Separation
Input Type	-	
	A	0-20mA
	B	4-20mA
	C	0-5VDC
	D	1-5VDC
	E	0-10VDC
F	2-10VDC	
S	SPECIFIED	



The max output limit of outer by VR adjustment:

- A: Setting 100%
- B: Setting 80%
- C: Setting 60%
- D: Setting 40%



Model	S TYPE (L X W X H)mm/(Weight)kg	A TYPE (L X W X H)mm/(Weight)kg
20A	143X128X116mm/0.9kg	
30A	143X128X116mm/1.0kg	206X128X116mm/1.2kg
50A	143X128X170mm/1.4kg	206X128X116mm/1.6kg
75A	143X128X170mm/1.6kg	206X128X170mm/2.2kg
100A	173X128X170mm/1.85kg	206X128X170mm/2.2kg
120A	173X128X170mm/1.85kg	206X128X170mm/2.2kg
150A	173X128X170mm/1.9kg	236X128X170mm/2.5kg