



(Resistive Loads Only)

- Extends Heater Life-Eliminates Thermal Shock.
- Optically Isolated.
- Capacity Up To 150 Amps.
- Diagnostic Indicators.
- Self-Synchronizing To Line Frequency.
- Isolated Heat Sinks.
- Compact Design.
- Full Protection Against Line Voltage Spikes.



A TYPE

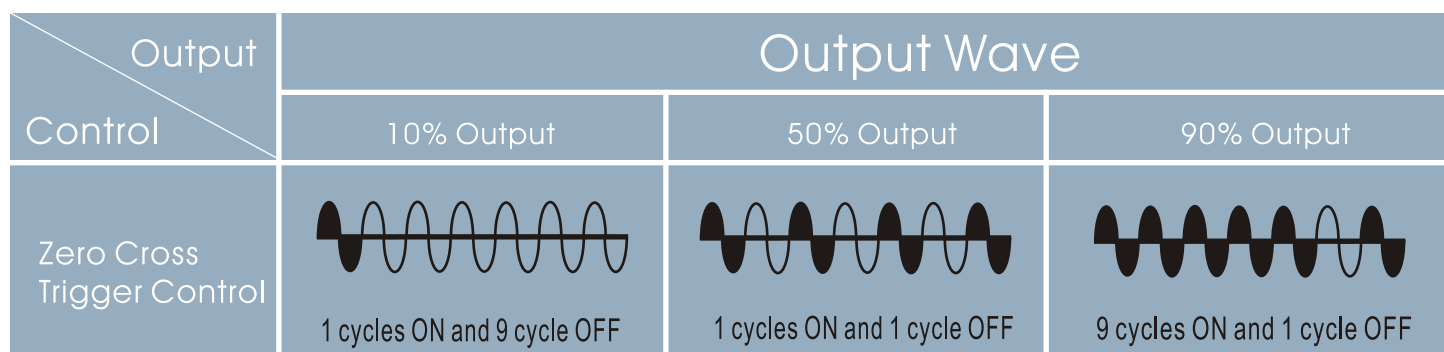
S TYPE

Drying, Wire and Cable, Foods Machinery, Power Metallurgy, Plastic Extrusion Machinery, High Temperature Ceramic Furnace, Metallic Heating Treatment Drying Machinery, Plastic Leather Pasting

SPECIFICATIONS

Load Current Rating	20A~150A
Load Voltage	100~250VAC/200~480VAC
Aux. Power	100~250VAC
Input Type	0-20mA/4-20mA/0-5VDC/1-5VDC/0-10VDC
Min Load Current	0.6A
Off State Leakage Current	15mA (Max)
Power Consumption	5W (Max)
Input Frequency	50~60HZ
Input Resistance	DCA (250Ω) ,DCV (10KΩ)
Isolation Voltage	AC2500V (1 Min)
Alarm Relay Contact	2.0A
Operating Temperature	-10~82°C
Operating Humidity	95% RH
Storage Temperature	-10~60°C
Storage Humidity	95% RH
Soft Start	8.4sec
FAN ON/OFF Temperature	>50°C ON / <45°C OFF
HI Temperature Alarm	<82°C OFF / >73°C ON

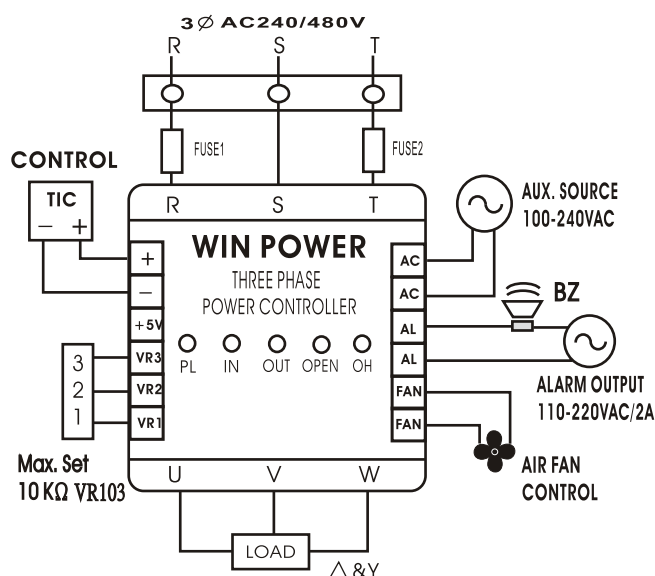
Trigger Control



Order Model/Outside Dimension/Weight

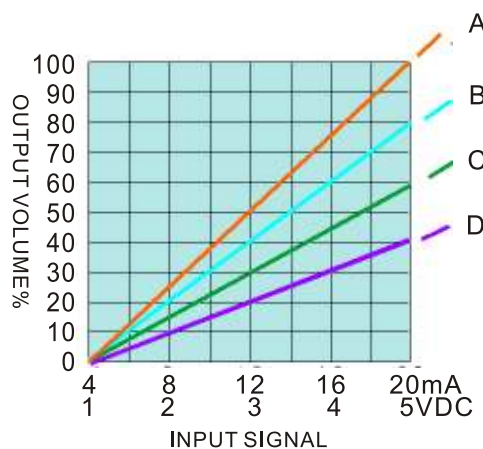
Connection Diagram

MODEL: TZ	<input type="text"/>	<input type="text"/>	-	<input type="text"/>
Type	TZ			
Input Voltage	24	100~250VAC		
	48	200~480VAC		
Load Current	20	20A		
	30	30A		
	50	50A		
	75	75A		
	100	100A		
	150	150A		
Fuse Connection Model	A	Combination		
	S	Separation		
Input Type	-			
	A	0-20mA		
	B	4-20mA		
	C	0-5VDC		
	D	1-5VDC		
	E	0-10VDC		
	F	2-10VDC		
S	SPECIFIED			



The max output limit of outer up/down switch:

- A: Setting 100%
- B: Setting 80%
- C: Setting 60%
- D: Setting 40%



Model	S TYPE (L X W X H)mm/(Weight)kg	A TYPE (L X W X H)mm/(Weight)kg
20A	143X128X170mm/1.0kg	
30A	143X128X170mm/1.6kg	206X128X170mm/2.4kg
50A	173X128X170mm/2.1kg	206X128X170mm/2.4kg
75A	173X128X170mm/2.1kg	236X128X170mm/2.7kg
100A	173X128X170mm/2.1kg	236X128X170mm/2.7kg
120A	173X128X170mm/2.1kg	236X128X170mm/2.7kg
150A	236X128X170mm/2.5kg	250X140X194mm/3.2kg